



CATALOG NUMBER	TYPE
PROJECT NAME	DATE

SPECIFICATIONS

FEATURES

- Commercial-grade thermoplastic remote head
- Fast, easy installation
- Ships with a 5" diameter canopy that mounts to a 3" or 4" junction box

CONSTRUCTION

- Injection molded thermoplastic construction
- Suitable for damp location

LAMP

- Each head utilizes one 1W 3.6V LED head

ELECTRONICS

- Powered by external DC supply

COMPLIANCE

- Meets UL standard

WARRANTY

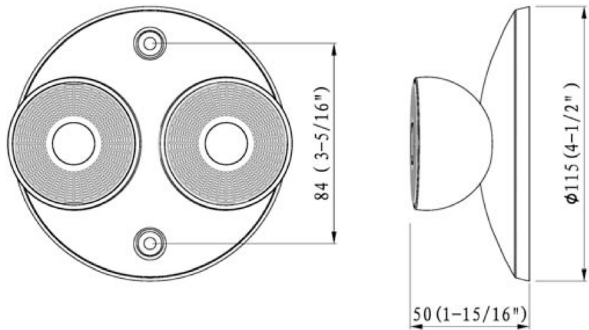
- 3-year limited warranty

REM-6-LED

THERMOPLASTIC REMOTE HEAD



DIMENSIONS



ORDERING GUIDE

MODEL	NUMBER OF HEADS	LAMPING	HOUSING COLOR
REM-6-LED LED Remote Head	1H One Head 2H Two Heads	LED 1W LED	W White Housing