



CATALOG NUMBER	TYPE
PROJECT NAME	DATE

SPECIFICATIONS

FEATURES

- Thermoplastic edgelit exit sign
- Fast, easy installation
- Designed for recessed or surface mounting
- Part of astralite's quick ship program

CONSTRUCTION

- Product ships with universal canopy (not shown)
- Recessed version features heavy-gauge galvanized steel back box with integral mounting channels
- UV-stable, impact-resistant thermoplastic housing; meets UL94V-0 flame rating
- EXIT letters are 6" tall with 3/4" stroke; 100 ft viewing distance

RECESSED APPLICATION

- Suggested Trim Opening: 4.75" x 15"
- Plate Measurement: 5.5" x 16"

LAMP

- AllnGaP LEDs with a rated life of 10+ years

ELECTRONICS

- Dual-voltage input capability: 120/277V
- Low-voltage disconnect
- AC indicator light with test switch
- Brownout protection
- Unit draws less than 2.5W

BATTERY

- EM option comes standard with nickel-cadmium battery
- Provides a minimum of 90 minutes of illumination upon loss of power

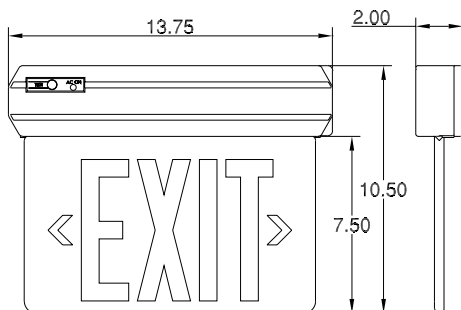
COMPLIANCE

- Meets or exceeds UL 924, NFPA 101, NEC and OSHA illumination standards

WARRANTY

- 5-year warranty on housing and electronics. Battery is prorated

DIMENSIONS (SURFACE MOUNTED UNIT)



AEL

EDGE-LIT THERMOPLASTIC EXIT SIGN



Material	Mounting	Battery	Code Compliance
Thermoplastic	Wall / Ceiling / End	Nickel-cadmium	UL 924

ORDERING GUIDE

MODEL	MOUNTING	NO. OF FACES	LETTER/BACKGROUND	TRIM FINISH	POWER CONFIGURATION
AEL L.E.D. Edge-lit Sign	U Universal Surface RSC Ceiling Recessed	1 Single 2 Double	RC ¹ Red on Clear RM Red on Mirrored GC ¹ Green on Clear GM Green on Mirrored	BA ² Brushed Aluminum W White B Black	AC AC Only EM Battery Backup DI Dual Input

Notes:

1. Single face only
2. Recessed mounting only