



|                |      |
|----------------|------|
| CATALOG NUMBER | TYPE |
| PROJECT NAME   | DATE |

## SPECIFICATIONS

### FEATURES

- Vandal-resistant thermoplastic EXIT-EM combo with polycarbonate shield and optional waterproof gasket
- Designed for wall mounting only
- Remote capable: choice of no remote, 16W, or 32W unit capacity
- Part of Astralite's quick ship program

### CONSTRUCTION

- UV stabilized thick polycarbonate shield
- Mounts quickly using a .100" thick stainless steel wall plate
- **VRS** option includes Tamperproof mounting screws
- **4x** option includes neoprene gaskets suitable for hose-down applications
- EXIT letters are 6" tall with 3/4" stroke; 100 ft viewing distance

### LAMP

- Utilizes two optional high-efficiency 1W LED heads in emergency mode; higher wattage lamps are available upon request, consult factory for more options
- Features a 3.6W down light standard
- Face is illuminated by long-lasting high-output AlInGaP LEDs with a rated life of 10+ years

### ELECTRONICS

- Dual-voltage input capability: 120/277V
- Low-voltage disconnect
- AC lockout installation
- Brownout protection
- AC indicator light with test switch

### BATTERY

- Nickel-cadmium battery comes standard
- Provides a minimum of 90 minutes of illumination in emergency mode
- Operational temperature range: 10-40° C

### COMPLIANCE

- Damp location listed
- Meets or exceeds UL 924, NFPA 101, NEC and OSHA illumination standards

### WARRANTY

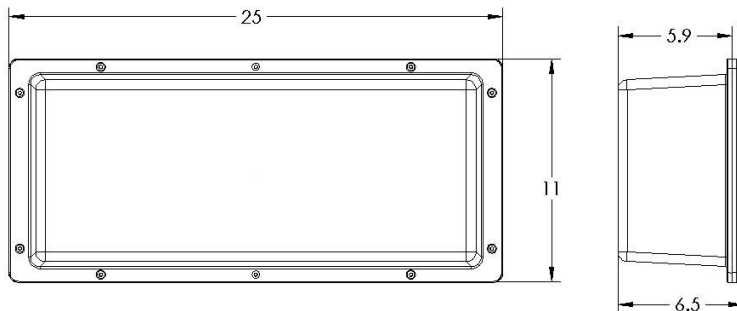
- 5-year warranty on housing and electronics. Battery is prorated.

## EEU-2-LED-VRS/4X

VANDAL/Waterproof COMBINATION UNIT



## DIMENSIONS



## ORDERING GUIDE

| MODEL     | TYPE      | REMOTE CAPABILITY   | LETTER COLOR     | HOUSING COLOR      | OPTIONS  |
|-----------|-----------|---|------------------|--------------------|--|
| EEU-2-LED | VRS<br>4X | NR No Remote<br>16 16W Remote<br>NH16 No Heads, 16W Remote<br>NH32 No Heads, 32W Remote | G Green<br>R Red | W White<br>B Black | SD Self Diagnostics<br>220 220 Vac Input<br>TPS Tamperproof Screws<br>TPSD Tamperproof Screwdriver |