



CATALOG NUMBER	TYPE
PROJECT NAME	DATE

SPECIFICATIONS

FEATURES

- Thermoplastic emergency light
- Innovative, snap-together design allows for fast and easy installation
- Designed for wall or ceiling mounting
- Part of Astralite's quick ship program

CONSTRUCTION

- UV-stable, impact-resistant thermoplastic housing; meets UL94V-0 flame rating

LAMP

- Utilizes two 5W T5 wedge base lamps in emergency mode

ELECTRONICS

- Dual-voltage input capability: 120/347 VAC
- Test switch and charge rate indicator
- Low voltage disconnect

BATTERY

- Lead-Calcium battery is standard and provides a minimum of 90 minutes of illumination in emergency mode
- Operating temperature range: 10-40° C

COMPLIANCE

- Meets or exceeds UL 924, NFPA 101, NEC and OSHA illumination standards

WARRANTY

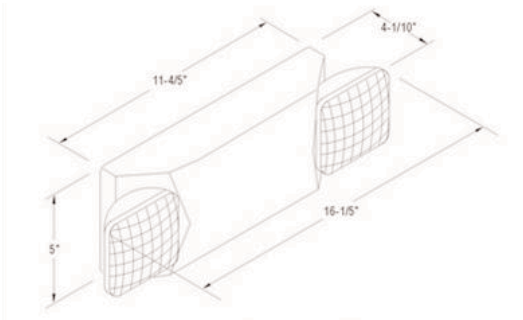
- 5-year warranty on housing and electronics. Battery is prorated

EU-CSA

EMERGENCY LIGHT WITH BATTERY BACKUP



DIMENSIONS



ORDERING GUIDE

MODEL

HOUSING FINISH

EU-CSA
Emergency Light with Battery Backup

W White Housing