



CATALOG NUMBER	TYPE
PROJECT NAME	DATE

SPECIFICATIONS

FEATURES

- Durable die-cast aluminum exit sign with polycarbonate shield
- Designed for end mounting only

CONSTRUCTION

- High-strength cast aluminum exit with hinged faceplate and field-selectable chevrons
- VRS option includes tamperproof mounting screws
- 4x option includes neoprene gaskets suitable for hose-down applications
- EXIT letters are 6" tall with 3/4" stroke; 100 ft viewing distance

LAMP

- AllnGaP LEDs with a rated life of 10+ years

ELECTRONICS

- Dual-voltage input capability: 120/277V
- Low-voltage disconnect
- AC indicator light with test switch
- Brownout protection

BATTERY

- EM option comes standard with nickel-cadmium battery
- Provides a minimum of 90 minutes of illumination in emergency mode

COMPLIANCE

- Meets or exceeds UL 924, NFPA 101, NEC and OSHA illumination standards

WARRANTY

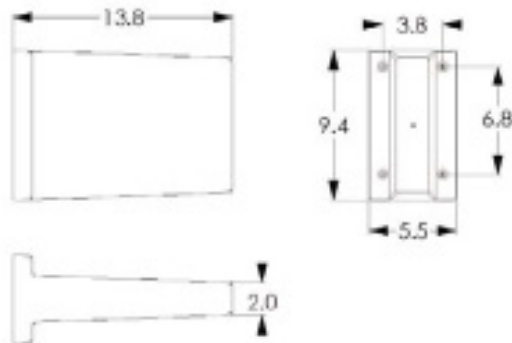
- 5-year warranty on housing and electronics. Battery is prorated

DCA-VRS/4X

VANDAL RESISTANT/WATERPROOF CAST ALUMINUM EXIT



DIMENSIONS



Material	Mounting	Battery	Code Compliance	Dimensions
Polycarbonate	End	Nickel-cadmium	UL 924	13.8" W X 9.4" H X 2.0" D

ORDERING GUIDE

MODEL	MOUNTING	TYPE	LETTER COLOR	STENCIL FINISH	HOUSING COLOR	BATTERY BACKUP	OPTIONS
DCA Vandal Resistant Exit	C Ceiling E End W Wall	VRS Vandal Resistant 4x Waterproof	R Red G Green	BA Brushed Aluminum W White B Black	W White B Black	AC AC Only EM Emergency DI Two Transformer Input	TPS Tamperproof Screws TPSD Tamperproof Screwdriver 220 220 VAC Input