



CATALOG NUMBER	TYPE
PROJECT NAME	DATE

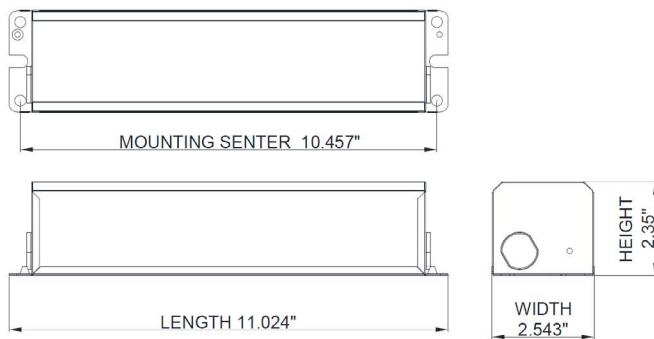
SPECIFICATIONS

FEATURES

- 25W constant power output enables even illumination in emergency operation with no light degradation
- Two-wire universal AC input
- 10°-50°C (50°C-122°F) ambient rating
- 9.6V 6400mAh LiFePO4 battery
- Meets or exceeds UL standards
- 2-year limited warranty

Input Voltage	120-277V AC, 50/60 Hz
Input Rating	7W Max
Output Voltage	20-50V DC
Output Current	1.25A at 20 V DC - 0.5A at 50 V DC
Output Power	25W
Emergency Operation	90 Minutes
Shipping Weight	5 LBS
Recharge Time	24 Hours

DIMENSIONS



ALED-25

CONSTANT POWER EMERGENCY DRIVER

ORDERING GUIDE

MODEL

ALED-25
Constant Power Emergency Driver