



CATALOG NUMBER	TYPE
PROJECT NAME	DATE

## SPECIFICATIONS

### FEATURES

- Designed for flush ceiling mounting
- Features a versatile brushed nickel finished trim and an opaque white acrylic diffuser

### CONSTRUCTION

- Aluminum body with acrylic diffuser

### LAMP

- High-efficiency LEDs maximize light output
- Deck is painted with high-reflectance white powder coated paint, providing 1632 Lumens of illumination

### ELECTRONICS

- 120 V, 60 Hz
- 18 Watts

### OPTIONS

- MO - Optional motion sensor
- MOD - Optional dimmer that reduces the light output to 20% of maximum when an area is unoccupied.
- LVD - Optional line voltage dimmer, normally used with a manual wall dimmer.
- EM - Uses existing LED lamp (at 60% - 100% of normal illumination), with a minimum runtime of 90 minutes. Utilizes a black, 12" surface-mount canopy which contains all electronics. NiCd batteries. Compatible with pendant mounting configurations.

### COMPLIANCE

- UL listed
- ADA compliant

### WARRANTY

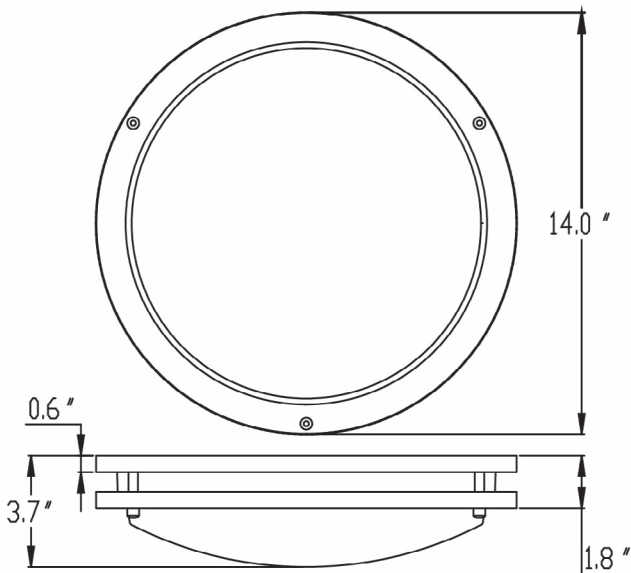
- 3 years from defects in material and workmanship

## FMC14

L.E.D. FLUSH MOUNT CEILING LIGHT



## DIMENSIONS



## ORDERING GUIDE

MODEL	SIZE	COLOR TEMPERATURE	FINISH	VOLTAGE	OPTIONS
FMC14 L.E.D. Flush Mount Ceiling Light	14 14" diameter	4K <sup>1</sup> 4000K 3K 3000K 5K 5000K	BN Brushed Nickel	120 120 VAC Input	MO Motion sensor (On/Off) MOD <sup>2</sup> Dimmable Motion Sensor LVD Line Voltage Dimmer EM LED Emergency Pack

### Notes:

1. Standard.
2. Dims to 20% of maximum light output.