



CATALOG NUMBER	TYPE
PROJECT NAME	DATE

## SPECIFICATIONS

### FEATURES

- Thermoplastic emergency light with a sleek, compact design
- Designed for wall mounting
- Fast, easy installation
- Part of Astralite's quick ship program

### CONSTRUCTION

- UV-stabilized thermoplastic housing with a UL 94 V-0 rating

### LAMP

- Utilizes (2) high-efficiency 1W LED heads

### ELECTRONICS

- Dual-voltage input capability: 120/277V
- Low-voltage disconnect
- Test switch and LED indicator light
- Brownout protection

### BATTERY

- 3.6V 600mAh Nickel-Cadmium battery is standard and provides a minimum of 90 minutes of illumination in emergency mode
- Operating temperature range: 10-40° C

### COMPLIANCE

- Meets or exceeds UL 924, NFPA 101, NEC and OSHA illumination standards

### WARRANTY

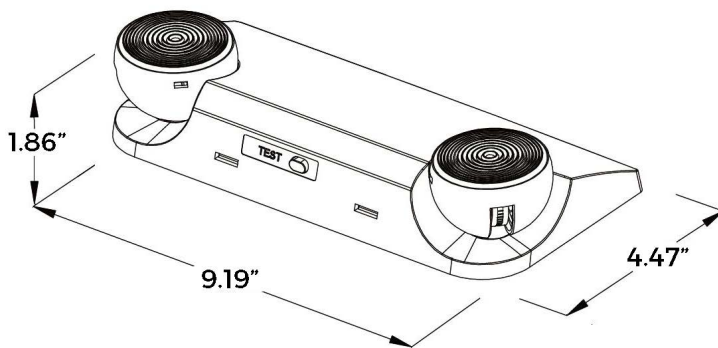
- 5-year warranty on housing and electronics. Battery is prorated

## EU-7-LED

THERMOPLASTIC LED EMERGENCY LIGHT



## DIMENSIONS



Material	Mounting	Battery	Code Compliance	Dimensions
Thermoplastic	Wall	Nickel Cadmium	UL 924	9.19" W x 4.47" H x 1.86" D

## ORDERING GUIDE

MODEL

HOUSING FINISH

**EU-7-LED**  
Thermoplastic LED Emergency Light

**W** White  
**B** Black