



CATALOG NUMBER	TYPE
PROJECT NAME	DATE

## SPECIFICATIONS

### FEATURES

- Contractor's choice thermoplastic EXIT-EM combo
- Two fully-adjustable 1W LED heads evenly distribute light along area of egress
- Designed to be ceiling or wall mounted
- Optional remote capability
- Fast, easy installation
- Part of Astralite's quick ship program

### CONSTRUCTION

- UV-stable, impact-resistant thermoplastic housing; meets UL94V-0 flame rating
- EXIT letters are 6" tall with 3/4" stroke; 100 ft viewing distance

### LAMP

- Utilizes two fully adjustable high-efficiency 1W LED heads in emergency mode
- Face is illuminated by long-lasting high-output AlInGaP LEDs with a rated life of 10+ years

### ELECTRONICS

- Dual-voltage input capability: 120/277V
- Brownout protection
- Low-voltage disconnect
- AC indicator light with test switch

### BATTERY

- Nickel-cadmium battery comes standard and provides a minimum of 90 minutes of illumination in emergency mode
- Operating temperature range 10-40° C

### COMPLIANCE

- Meets or exceeds UL 924, NFPA 101, NEC and OSHA illumination standards

### WARRANTY

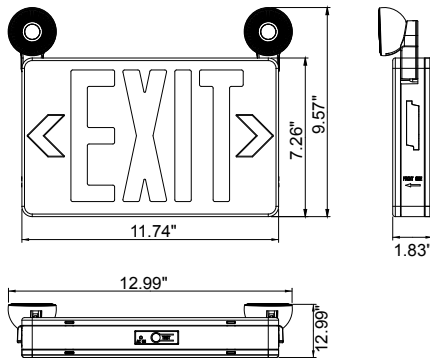
- 5-year warranty on housing and electronics. Battery is prorated

## EEU-4-LED

THERMOPLASTIC EXIT-EM COMBINATION UNIT



## DIMENSIONS



## ORDERING GUIDE

MODEL	LETTER COLOR	HOUSING COLOR	OPTIONS
EEU-4-LED	<b>G</b> Green	<b>B</b> Black <b>W</b> White	<b>REM</b> 2W 3.6V Remote Capability <b>PC2</b> Polycarbonate Cover <b>HO</b> (2) 2W LED Heads <b>SD</b> Self Dignostics Option
	<b>R</b> Red		