



CATALOG NUMBER	TYPE
PROJECT NAME	DATE

SPECIFICATIONS

FEATURES

- Heavy duty remote capable steel emergency lighting unit
- Remote capable: 125W unit capacity
- Designed for wall mounting

CONSTRUCTION

- 20-gauge steel construction emergency unit with polycarbonate shield
- Finished in a powder coat in white or black
- VRS option includes tamperproof mounting screws
- 4x option includes neoprene gaskets suitable for hose-down applications

LAMP

- Adjustable square heads with 10W bi-pin halogen lamps

ELECTRONICS

- Dual-voltage input capability: 120/277
- Low-voltage disconnect
- AC lockout
- Brownout protection
- AC indicator light with test switch

BATTERY

- Nickel-cadmium battery comes standard
- Operating temperature range: 0 °C to 40 °C
- Provides a minimum of 90 minutes of illumination upon loss of power

COMPLIANCE

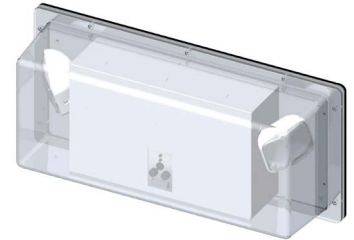
- Meets or exceeds UL 924, NFPA 101, NEC and OSHA illumination standards
- NYC approved

WARRANTY

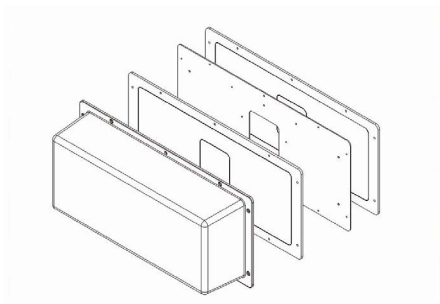
- 5-year warranty on housing and electronics. Battery is prorated

EU-HD-125-VRS/4X

125W HEAVY DUTY EMERGENCY UNIT



DIMENSIONS



Material	Mounting	Battery	Code Compliance	Dimensions
Steel	Ceiling	Nickel-cadmium	UL 924	15" W X 9" H X 4.3" D

ORDERING GUIDE

MODEL	TYPE	DC WATTAGE	INTEGRAL HEADS	DC VOLTAGE	HOUSING COLOR	OPTIONS
EU-HD Heavy Duty Halogen Emergency Light	VRS 4X Vandal Resistant Waterproof	125 125 Watts	NH² No Heads 2² Two Heads 3² Three Heads	6 6V DC 12 12V DC	B Black W White	220 220 VAC Input SD Self Diagnostics CAD-24 Caddy-Bars REM Remote Capable DL Damp Location BH Battery Heater TD¹ Time Delay

Notes:

1. Must specify AC input voltage and delay time
2. To determine maximum remote wattage, subtract total integral lamp watts from total DC unit wattage