



CATALOG NUMBER	TYPE
PROJECT NAME	DATE

SPECIFICATIONS

FEATURES

- Contractor's choice EXIT-EM combo
- Optional remote capability: choice of 11W unit capacity

CONSTRUCTION

- UV-stable, impact-resistant thermoplastic housing; meets UL94V-0 flame rating
- EXIT letters are 6" tall with 3/4" stroke; 100 ft viewing distance

LAMP

- Utilizes two high-efficiency 1W LED heads in emergency mode; higher wattage lamps are available upon request, consult factory for more options
- Exit face illuminated by long-lasting high-output AlInGaP LEDs with a rated life of 10+ years

ELECTRONICS

- Dual-voltage input capability: 120/277V
- Brownout protection
- Low-voltage disconnect
- AC indicator light with test switch

BATTERY

- Lead-calcium battery is standard
- Operating temperature range: 10-40° C

COMPLIANCE

- Meets or exceeds UL 924, NFPA, NEC, and OSHA illumination standards

WARRANTY

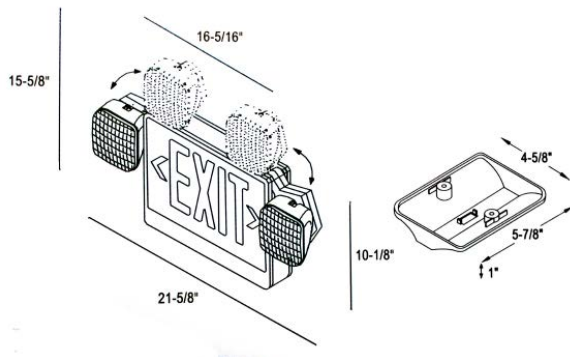
- 5-year warranty on housing and electronics. Battery is prorated

EEU-U-J

COMBINATION UNIT WITH ADJUSTABLE HEADS



DIMENSIONS



Material	Mounting	Battery	Code Compliance
Thermoplastic	Wall/Ceiling	Lead-calcium	UL924

ORDERING GUIDE

MODEL	LETTER COLOR	HOUSING COLOR	FACTORY INSTALLED OPTIONS
EEU-U-J Combination Unit with Adjustable Heads	R Red W White	W White B Black	REM Remote Capable; Max 2 x 5.4W 6V Lamps SD Self Diagnostics Option