



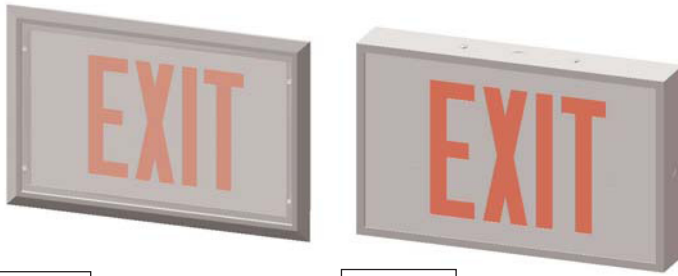
TYPE _____

CATALOG# _____

LLE-R/S

LOW LEVEL EXTRUDED ALUMINUM EXIT SYSTEM WITH 5MM POLYCARBONATE FACE

COMMERCIAL SERIES

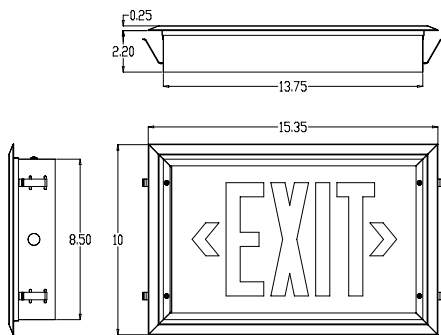


LLE-R

LLE-S



DIMENSIONS



GENERAL DESCRIPTION

The LLE surface or recessed mount L.E.D exit sign combines sleek, low-profiled design, easy installation, and the highest level of even illumination.

HOUSING DESIGN

Designed and shipped as a pair, the master unit powers and controls the remote unit. The low-control voltage (6 VDC) to the remote unit simplifies the wiring process.

A. The LLE-SR provides a surface mount master exit and a recessed remote unit. There is no polycarbonate face on the master unit.

B. The LLE-RR contains a recessed master unit and a recessed remote unit. The exit mounts easily to both new and old work installations. A 5mm polycarbonate shield provides protection from abuse.

ILLUMINATION

The unit utilizes long-lasting high-output AllInGaP L.E.D.'s with minimum degradation over the life of the L.E.D.'s. The unit draws less than 3 watts and meets all Energy Star requirements. Available in red or green.

ELECTRONICS

Standard heavy duty transformer. Input is dual-voltage 120/277 60Hz. Unit is damp location listed 50°-104°F (10°-40°C) EM option features solid state design with low voltage disconnect, AC lockout, brown-out protection, and AC indicator L.E.D. with test switch. Battery is standard Nickel Cadmium. Advance technology circuit board designed to accept a broad range of factory installed optional features.

CODE COMPLIANCE

Unit listed to UL-924 and meets or exceeds NFPA, NEC, and OSHA illumination standards. ADA compliant.

WARRANTY

5 years on housing and electronics with a 7-year pro-rated warranty on the battery.

LLE

MODEL	MOUNTING	LETTER COLOR	HOUSING COLOR	STENCIL	FACTORY INSTALLED OPTIONS
EXTRUDED ALUMINUM	SR= SURFACE MASTER AND RECESSED REMOTE RR = RECESSED MASTER AND RECESSED REMOTE	R= RED G = GREEN	W= WHITE B = BLACK CONTACT FACTORY FOR OTHER COLORS OR FINISHES	AC= AC ONLY EM = EMERGENCY	SW= SPECIAL WORDING AVAILABLE 220 = 220 VAC INPUT

