



CATALOG NUMBER	TYPE
PROJECT NAME	DATE

SPECIFICATIONS

FEATURES

- Extruded aluminum combination unit with the CT symbol of access
- Single face, for wall mount only
- Remote capable: choice of 30W or 50W unit capacity

CONSTRUCTION

- Extruded aluminum construction
- Field selectable chevron directional indicator offers a choice of direction on site
- 6" EXIT letters with 3/4" stroke and CT symbol of access

LAMP

- Utilizes two 10W 6V halogen emergency heads in emergency mode; consult factory for additional lamp options
- EXIT letters illuminated by long-lasting high-output AlInGaP LEDs with a rated life of 10+ years

ELECTRONICS

- Dual-voltage input capability: 120/277V
- Low-voltage disconnect
- AC indicator light with test switch
- Brownout protection

BATTERY

- Lead-acid battery is standard and provides a minimum of 90 minutes of illumination in emergency mode
- Operating temperature range: 0 °C to 40 °C

COMPLIANCE

- Meets or exceeds UL 924, NFPA 101, NEC and OSHA illumination standards

WARRANTY

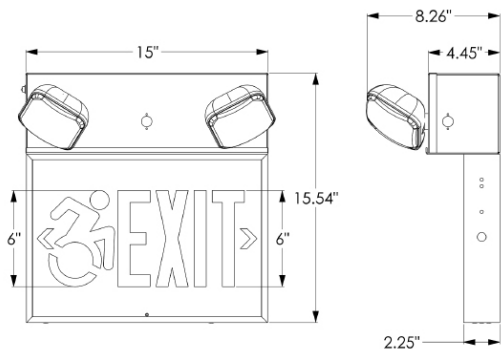
- 5 year warranty on housing and electronics. Battery is prorated

ECNY-HC-CT

EXIT-EM COMBO WITH CT SYMBOL OF ACCESS



DIMENSIONS



Material	Mounting	Battery	Code Compliance	Dimensions
Aluminum	Wall	Lead-acid	UL 924	15.08" W X 15.54" H X 8.26" D

ORDERING GUIDE

MODEL	DC WATTAGE	LETTER COLOR	HOUSING	LAMPING	OPTIONS
ECNY-HC-CT Exit-EM Combo with CT Symbol of Access	30 30 Watts 50 50 Watts	R Red G Green	W White B Black	NH No Head 2H Two Heads 3H Three Heads	LED Optional 1W LED Heads