

TYPE _____

CATALOG# _____

EUNY-P36

PAR-36 LAMP NEW YORK CITY APPROVED
30/50 WATT EMERGENCY UNIT

GENERAL DESCRIPTION

This New York City approved fixture from Astralite's Industrial Series is constructed from high-quality 20-gauge steel and designed to complement various industrial applications.

HOUSING

20-gauge steel construction provides superb corrosion resistance. Finished in black, white or your custom choice.

MOUNTING

Easy and quick installation facilitated with universal mounting plate and knockouts.

ILLUMINATION

Provided by 5.4W 6V thermoplastic PAR-36 lamp heads mounted to the top of the fixture. Metal lamp heads may be ordered as an option. Please contact factory for additional lamping options.

ELECTRONICS

Unit capacity up to 50 Watts (60 W @ 12VDC). Input is dual voltage, standard 120/277 60Hz. Unit features solid state design with low voltage disconnect, AC lockout, brown-out protection, and AC indicator LED with test switch. Provides 90 minutes of illumination upon loss of power. Battery is maintenance-free sealed Lead Calcium.

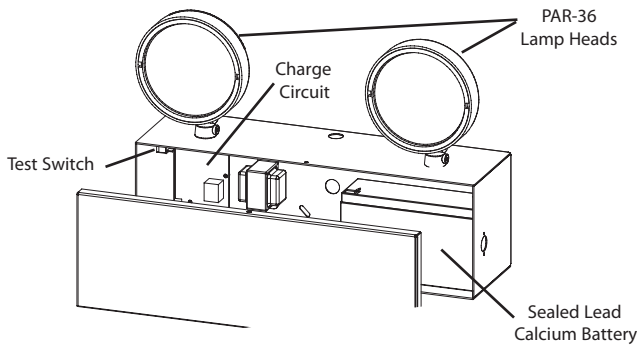
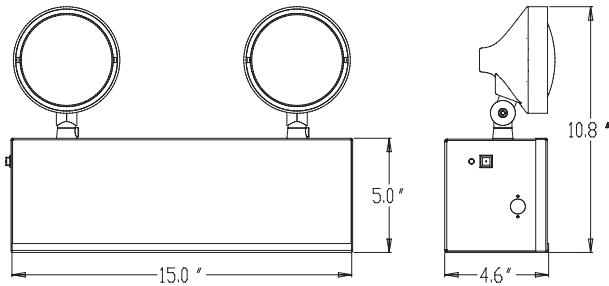
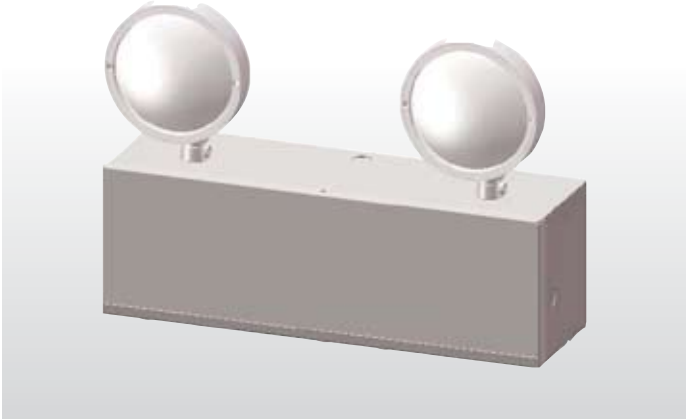
CODE COMPLIANCE

Tested and Listed to UL 924, meets or exceeds NFPA, NEC, and OSHA illumination standard. NYC Approved.

WARRANTY

5 years on housing and electronics

INDUSTRIAL SERIES



EUNY-P36

MODEL

TOTAL DC WATTAGE

NO. OF INTEGRAL HEADS

DC VOLTAGE

HOUSING COLOR

FACTORY INSTALLED OPTIONS

30 = 30W 50 = 50W 60 = 60W - 12VDC ONLY	2T = TWO TOP HEADS	6 = 6V 12 = 12V	W = WHITE B = BLACK	NC= NICD BATTERY SD = SELF DIAGNOSTICS TD** = TIME DELAY LED = LED OPTION
---	--------------------	--------------------	------------------------	--

NOTE 1: TO DETERMINE MAXIMUM REMOTE WATTAGE, SUBTRACT TOTAL INTEGRAL LAMP WATTAGE FROM TOTAL DC UNIT WATTAGE.
EXAMPLE: SUBTRACT 20 (2 X 10W LAMPS) FROM 180 (TOTAL UNIT WATTAGE) AND GET APPROXIMATELY 160 WATTS - THE EQUIVALENT OF MAXIMUM REMOTE LAMP WATTAGE.

* STANDARD FOR VRS
** MUST SPECIFY AC INPUT VOLTAGE & DELAY TIME.