



CATALOG NUMBER	TYPE
PROJECT NAME	DATE

## SPECIFICATIONS

### FEATURES

- New York City approved extruded aluminum combination unit
- Designed for wall mounting
- Choice of one, two, or three integral EM heads
- Remote capable: choice of 30W or 50W unit capacity

### CONSTRUCTION

- Rugged, durable extruded aluminum construction
- Mounts easily to standard 3.5" octagonal or 4" square junction box

### ILLUMINATION

- Utilizes two 10W 6V halogen emergency heads in emergency mode; consult factory for additional lamp options
- EXIT letters are 8" tall with 1" stroke, illuminated by long-lasting high-output AllnGaP LEDs with a rated life of 10+ years

### ELECTRONICS

- Dual-voltage input capability: 120/277V
- Low-voltage disconnect
- AC lockout Installation
- Brownout protection
- AC indicator LED with test switch

### BATTERY

- Lead-calcium battery is standard
- Provides a minimum of 90 minutes of illumination in emergency mode
- Operating temperature range: 0 °C to 40 °C

### COMPLIANCE

- Meets or exceeds UL 924, NFPA 101, NEC and OSHA illumination standards

### WARRANTY

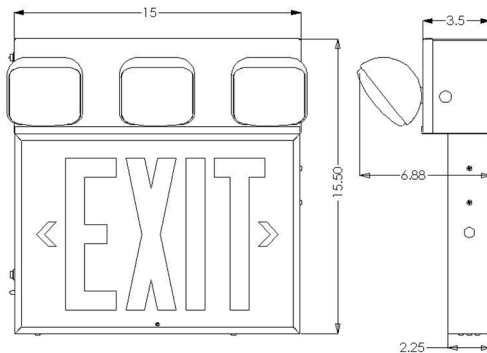
- 5 year warranty on housing and electronics, battery is prorated

## ECNY

NEW YORK CITY APPROVED EXIT-EM COMBO



## DIMENSIONS



## ORDERING GUIDE

MODEL	DC WATTAGE	LETTER COLOR	HOUSING	LAMPING	OPTIONS
ECNY New York City Approve Combination Unit	30 30 Watts 50 50 Watts	R Red G Green	W White B Black	NH No Head 2H Two Heads 3H Three Heads	LED Optional 1W LED Heads

- Notes:**
1. To determine maximum remote wattage, subtract total integral lamp watts from total DC unit wattage. For example, a 30W model with two 10W remote heads has 10W of remote capability