



CATALOG NUMBER	TYPE
PROJECT NAME	DATE

SPECIFICATIONS

FEATURES

- Designed for flush ceiling mounting
- Features a versatile brushed nickel finished trim and an opaque white acrylic diffuser

CONSTRUCTION

- Aluminum body with acrylic diffuser

LAMP

- High-efficiency LEDs maximize light output
- Deck is painted with high-reflectance white powder coated paint, providing 1430 Lumens of illumination

ELECTRONICS

- 120 V, 60 Hz
- 14 Watts

OPTIONS

- MO - Optional motion sensor
- MOD - Optional dimmer that reduces the light output to 20% of maximum when an area is unoccupied
- LVD - Optional line voltage dimmer, normally used with a manual wall dimmer
- EM - Uses existing LED lamp (at 60% - 100% of normal illumination), with a minimum runtime of 90 minutes. Utilizes a black, 12" surface-mount canopy which contains all electronics. NiCd batteries. Compatible with pendant mounting configurations

COMPLIANCE

- UL listed
- ADA compliant

WARRANTY

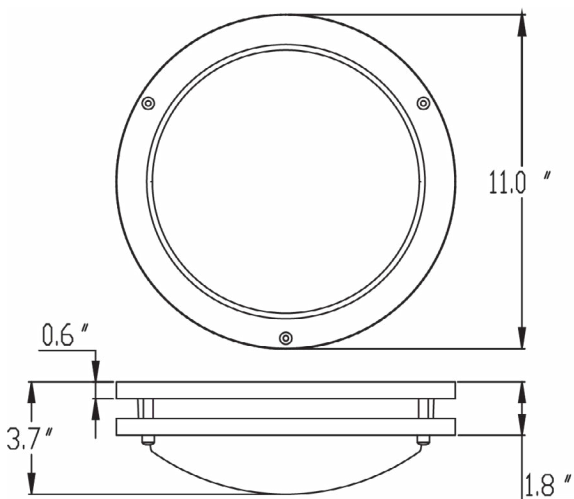
- 3 years from defects in material and workmanship

FMC11

L.E.D. FLUSH MOUNT CEILING LIGHT



DIMENSIONS



ORDERING GUIDE

MODEL	SIZE	COLOR TEMPERATURE	FINISH	VOLTAGE	OPTIONS
FMC11 L.E.D. Flush Mount Ceiling Light	11 11" diameter	4K ¹ 4000K 3K 3000K 5K 5000K	BN Brushed Nickel	120 120 VAC Input	MO Motion sensor (On/Off) MOD ² Dimmable Motion Sensor LVD Line Voltage Dimmer EM LED Emergency Pack

Notes:

1. Standard.
2. Dims to 20% of maximum light output.