



CATALOG NUMBER	TYPE
PROJECT NAME	DATE

## SPECIFICATIONS

### FEATURES

- 12V high-capacity steel emergency unit
- Unit capacity: 100W, 160W, 200W, or 260W
- Easy installation facilitated by universal mounting plate and keyhole slots
- Voltmeter comes standard

### CONSTRUCTION

- High-quality 20-gauge steel construction

### LAMP

- Optional integral (PAR 36) or remote lamp heads are available
- 9W and 50W lamps offered as integral lamps; consult factory for more options

### ELECTRONICS

- Dual-voltage 120/277 60Hz
- AC lockout
- Brownout protection
- AC indicator light with test switch
- Bi-color LED changes color from red (high charge) to green(float) to indicate full charge

### BATTERY

- Lead-calcium battery is standard and provides a minimum of 90 minutes of illumination in emergency mode
- Operating temperature range: 0 °C to 40 °C

### COMPLIANCE

- Meets or exceeds UL 924, NFPA 101, NEC and OSHA illumination standards

### WARRANTY

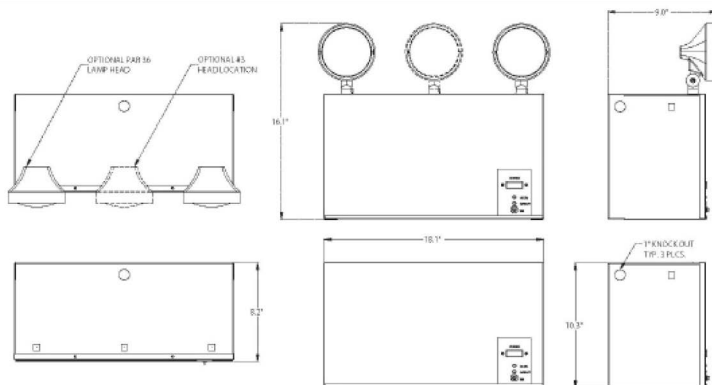
- 5-year warranty on housing and electronics. Battery is prorated

## EU-HD-12

HIGH CAPACITY EMERGENCY UNIT



## DIMENSIONS



## ORDERING GUIDE

MODEL	MAX UNIT WATTAGE	INTEGRAL LAMP HEADS	INTEGRAL LAMP WATTAGE <sup>1</sup>	HOUSING FINISH	OPTIONS
<b>EU-HD-12</b> 12V DC High-Capacity Emergency Unit	<b>100</b> 100W <b>150</b> 150W <b>200</b> 200W <b>260</b> 260W	<b>NH</b> No Heads <b>2S</b> 2 Side Heads <b>2T</b> 2 Top Heads	<b>9</b> 9W Wedge <b>50</b> 50W	<b>W</b> White <b>SP</b> Special Color	<b>LC</b> Line Cord (3ft) <b>220</b> 220VAC 50/60Hz <b>TD-120<sup>2</sup></b> 120VAC Time Delay <b>TD-277<sup>2</sup></b> 227VAC Time Delay <b>MH</b> PAR36 Metal Heads

### Notes:

1. Other wedge base, sealed beam and bi-pin lamps are also available: Please consult factory
2. Must specify AC input voltage and delay time