



CATALOG NUMBER	TYPE
PROJECT NAME	DATE

SPECIFICATIONS

FEATURES

- Indoor/outdoor L.E.D. fixture with optional emergency backup
- Suitable for both indoor and outdoor applications
- Designed for wall mounting only

CONSTRUCTION

- Die cast aluminum construction with powder-coated finish
- Provided with gaskets and is sealed for outdoor application

LAMP

- Switchable 10W LED lamp; 700 lumens, 4000K

ELECTRONICS (EM MODEL ONLY)

- Low-voltage disconnect
- AC lockout installation
- Brownout protection
- Self-diagnostic option is standard

BATTERY (EM MODEL ONLY)

- Nickel-cadmium battery is standard and provides a minimum of 90 minutes of illumination in emergency mode
- Operating temperature range: 0 °C to 40 °C

COMPLIANCE

- Meets or exceeds UL 924, NFPA 101, NEC and OSHA illumination standards

WARRANTY

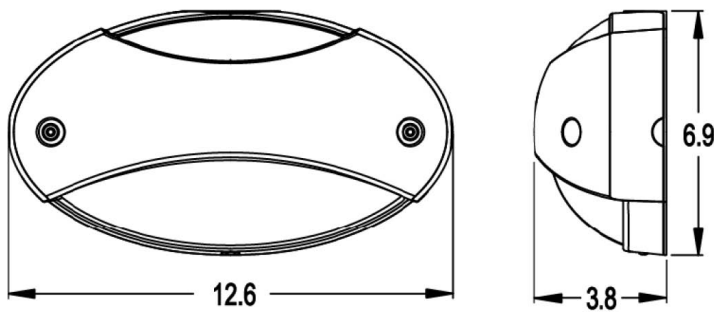
- 5-year warranty on housing and electronics. Battery is prorated.

DC-AP-FIX

L.E.D. FIXTURE WITH OPTIONAL EM BACKUP



DIMENSIONS



ORDERING GUIDE

MODEL	HOUSING FINISH	OPTIONS
DC-AP-FIX Indoor/Outdoor LED Fixture	BK Black WH White DB Dark Bronze SL Silver	EMC Emergency with Cold Weather Option (-18°C-50°C) EM Emergency Option REM Remote DC lamp only, specify DC voltage and wattage LED LED Lamping