



CATALOG NUMBER	TYPE
PROJECT NAME	DATE

SPECIFICATIONS

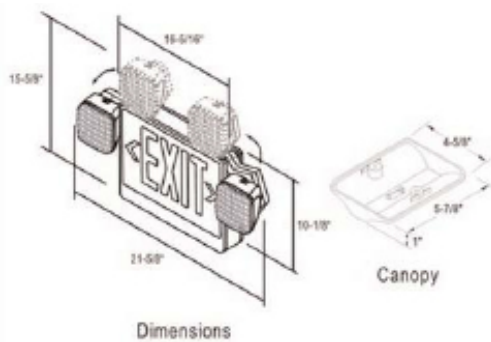
CONSTRUCTION

- Injection-molded thermoplastic ABS housing
- UL 94V-0 flame rating
- Innovative, snap-together design allows for fast and easy installation
- Suitable for damp location
- Letters 6" height with 3/4" stroke
- Single or double face
- Wall or ceiling mounting
- Housing snaps to canopy with simple twist; lock tightly to secure housing to canopy
- Replaceable directional chevron inserts are easily removed and reinserted

LAMP

- Two fully-adjustable glare-free square heads for emergency light
- Emergency heads can be adjusted (side mounting or top mounting)
- 2 x 6V 5W DC T5 wedge base lamps for emergency mode

DIMENSIONS



ELECTRONICS

- 120/347 VAC dual voltage operation
- Low energy consumption - only 3.8W under normal operation
- LED indicator light and push button test switch
- Lead-calcium battery is standard (6V 4.5Ah)
- Low-voltage battery disconnect

COMPLIANCE

- Tested by and listed to CSA

EEU-CSA

LED EXIT/EMERGENCY LIGHT COMBINATION



Material	Mounting	Battery
Thermoplastic	Wall/Ceiling	Lead-calcium

ORDERING GUIDE

MODEL	LETTER COLOR	HOUSING COLOR
<input type="text" value="EEU-CSA"/>	<input type="text" value="R"/>	<input type="text" value="W"/>
Exit/Emergency Combo Unit	Red	White