



CATALOG NUMBER	TYPE
PROJECT NAME	DATE

## SPECIFICATIONS

### FEATURES

- Ideal for applications that require signs with a slim profile
- 6" EXIT letters with 3/4" stroke and International Symbol of Access (ISA)
- Designed for surface ceiling and surface wall mounting

### CONSTRUCTION

- Extruded aluminum trim with standard brushed finish
- Replaceable chevron directional indicator offers a choice of direction on-site
- Acrylic face panels feature 6" EXIT letters with 3/4" stroke and International Symbol of Access (ISA)

### LAMP

- ALGaInP LED with a rated life of 10+ years

### ELECTRONICS

- Dual voltage input 120/277V
- Brownout protection
- Low-voltage disconnect
- AC indicator light with test switch

### BATTERY

- EM option comes standard with nickel-cadmium battery, and provides a minimum of 90 minutes of illumination upon loss of power

### COMPLIANCE

- Meets or exceeds UL 924, NFPA 101, NEC and OSHA illumination standards

### WARRANTY

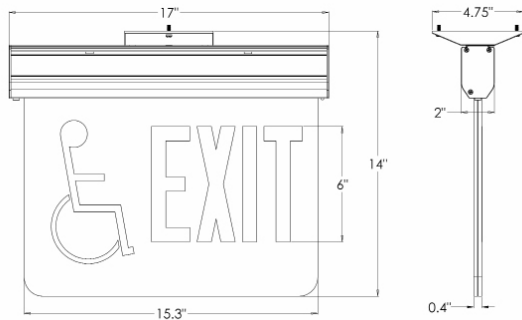
- 5 year warranty on housing and electronics

## ELX-HC-USM

EDGELIT EXIT SIGN WITH INTERNATIONAL SYMBOL OF ACCESS



## DIMENSIONS



Material	Mounting	Battery	Code Compliance
Aluminum Trim / Acrylic Panel	Ceiling or Wall	Nickel-cadmium	UL924

## ORDERING GUIDE

MODEL	MOUNTING TYPE	NO. OF FACES	LETTER/BACKGROUND	HOUSING COLOR	POWER CONFIGURATION	OPTIONS
ELX-HC	USM Universal Surface	1 2 Single Double	RC <sup>1</sup> Red on Clear Background RM Red on Mirrored Background	BA Brushed Aluminum	AC EM AC Only Battery Backup	PK REM Pendant Kit 3W 6V Remote Capability

Notes:  
1. Single face only