



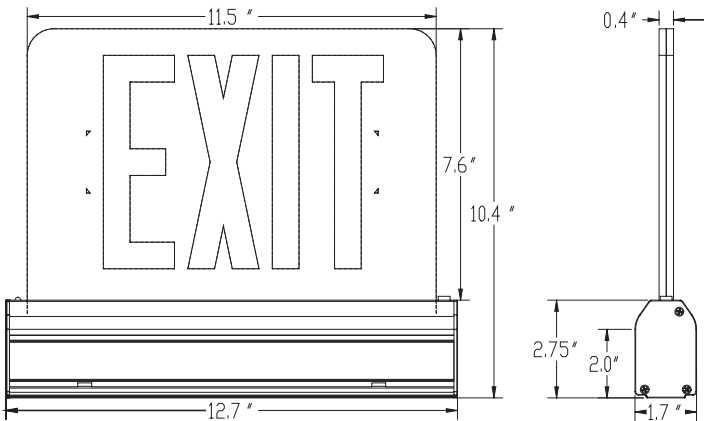
TYPE _____

CATALOG# _____

ELX-RW EXTRUDED ALUMINUM LED EDGE-LIT EXIT WITH REVERSE WORDING



**Universal Surface Mount
with reverse wording**



GENERAL DESCRIPTION

The ELX Edge-Lit Exit provides a thin profile design that complements upscale commercial or retail architectural applications. Illumination is provided utilizing the highest quality LEDs (AlInGaP) for even light distribution and trouble free operation.

HOUSING

This unit features a die formed rigid steel back box with integral adjustable mounting brackets for ease of installation. Available in universal surface mount, ELX-RW consists of an extruded aluminum body with a die cast mounting plate.

APPLICATION

Reverse wording where the need for door clearance is needed.

FACE DESIGN

The face design features 6" letters with 3/4" stroke. Directional indicators are custom **field installable** type.

ILLUMINATION

The Light Style edge-lit utilizes high-output AlInGaP LEDs with rated lamp life of 10+ years. Unit draws less than 3 Watts.

ELECTRONICS

Standard transformer input is dual voltage 120/277 60Hz. EM option features solid state design with Low Voltage Disconnect (LVD), AC lockout, brown out protection, and AC indicator LED with test switch. Provides 90 minutes of illumination upon loss of power. Battery is maintenance free Nickel Cadmium with an estimated service life of 7 years operating within temp of 10° C to 40° C.

CODE COMPLIANCE

UL 924 listed. Also meets NFPA, NEC, and OSHA illumination standard.

WARRANTY

5 years on housing and electronics with a 7 year pro rated warranty on battery.

LIGHT STYLE SERIES™

| ELX | RW | | | | | | |
|-------|-----------------|----------------------|--|--|---|---|--|
| Model | Mounting | No. of Faces | Letter Color/ Background | Trim-extrusion Colors/finish | Unit Power Configurations | Factory Installed Options | |
| | Reverse Wording | 1=Single 2=Double | RC=Red on Clear** RW=Red on White RM=Red w/ Mirrored GC=Green on Clear** GW=Green on White GM=Green w/ Mirrored **single face only | *BA WHT BLK DB BR *Standard | Brushed Aluminum Powder Coated White Powder Coated Black Dark Bronze Finish Brass Type Face Plate | AC= AC ONLY. EM = 90 minutes of emergency operation. 2CKT= Two Circuit input. | SW = Special Wording Note: * See accessories section for detail |



LS 018A



20 Pocono Rd. Brookfield, CT. 06804 Tel: 203-775-0172 ~ Fax: 203-775-0797

LS 18