



TYPE \_\_\_\_\_

CATALOG# \_\_\_\_\_

**INV-4X-150  
NEMA 4X 150 Watt Emergency  
Power Inverter System**



**APPLICATION:**

Intended for indoor or outdoor use primarily to provide a degree of protection against corrosion, windblow dust, rain, splashing water, and hose directed water; undamaged by ice which form on the enclosure.

**GENERAL DESCRIPTION**

Whether your emergency lighting fixtures are fluorescent, incandescent or transformer controlled low voltage lighting your choice emergency lighting power is Astralite INV. The Astralite INV-4X-150 output is modified square wave output that will run most fluorescent, incandescent or transformer loads up to the rated wattage of the unit.

**HOUSING:**

Gray enclosures rated NEMA 4X and 12. Enclosures have a polyurethane-gasketed cover and breather vent NEMA 4X rated. Four stainless steel captive screws hold cover in place. UL and C-UL listed. CSA certified.

**ELECTRONICS & BATTERY**

Charger/Control Input: Dual Voltage 120/277 VAC input facilitates the fully automatic Solid State charging system which features Low Voltage Disconnect (LVD), AC lockout installation and brown out protection and AC indicator and LED light are standard. Batteries used in the Astralite INV are "maintenance free sealed lead calcium and will provide many years of dependable service.

**OPERATION**

Upon failure of the normal utility power the Astralites INV will be turned on by a fully automatic solid state switching circuit and provide emergency power to the selected load. The Astralite INV can be wired in three configurations to meet the required level of automatic protection. 1) "Normally On" The selected load will always be "on", when utility power fails, the selected load will stay on!. 2) "Normally Off, The selected load will come on only when the utility power fails or 3)"Switched Mode" The selected load is controlled by local switching and can be turned on and off in the normal manner using a local wall switch, should a power failure occur the selected load will automatically turn on regardless of the position (on/off) of the local wall switch

**CODE COMPLIANCE**

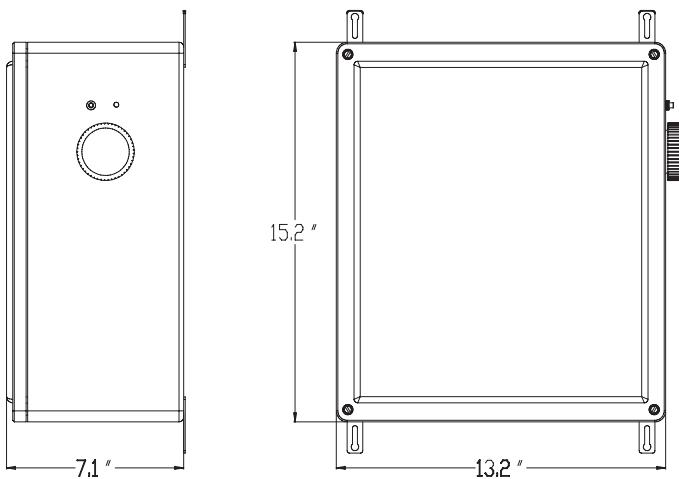
Tested and Listed to UL 924. Meets or exceeds NFPA NEC and OSHA illumination standards. ETL listed.

**WARRANTY**

5 years on housing and electronics with a 5 year pro rated warranty on battery.

VANDAL & NEMA SERIES

**DIMENSIONS**



<b>INV-4X</b>	<b>150</b>	<b>G</b>	<b>S</b>		
Model	Total Watts Output	Housing Color	Mounting Configuration	Input/Output	Factory Installed Options

		G Gray	S Surface	120=120/120 277=277/277	220 220VAC, 50 HZ Input *TD Time Delay RTS Remote Test Switch
--	--	--------	-----------	----------------------------	---

