



TYPE \_\_\_\_\_

CATALOG# \_\_\_\_\_

# NL

INTERIOR STEP, CORRIDOR, AND WALKWAY LIGHT WITH WHITE L.E.D.'S

SPECIALTY PRODUCTS

### DESCRIPTION

The NL is perfect for hospitals, assisted living facilities, and other locations where long-lasting energy efficient night lighting is required. L.E.D. technology provides 10 plus years of maintenance-free illumination with optional battery backup.

### HOUSING

Galvanized steel with 7/8 knockouts conveniently located to accommodate all installation requirements. Factory pre-assembled and supplied with all necessary mounting brackets/straps needed for all applications. Box is completely finished in high reflectance white (85%) powder coat.

### FACEPLATES

Brushed aluminum is the standard finish. The soft contoured design features Opal Lens, Straight or Angled Louver designs. A variety of finishes are available.

### ILLUMINATION

12 White LED's can be used as a direct or indirect lighting source. Battery backup, integral to unit, provides 90 minutes of operation upon loss of AC power. Battery is Nickel Cadmium. All units are factory wired, assembled and shipped complete with LED's. SW option includes a toggle switch to shut the L.E.D. strip when needed.

### POWER

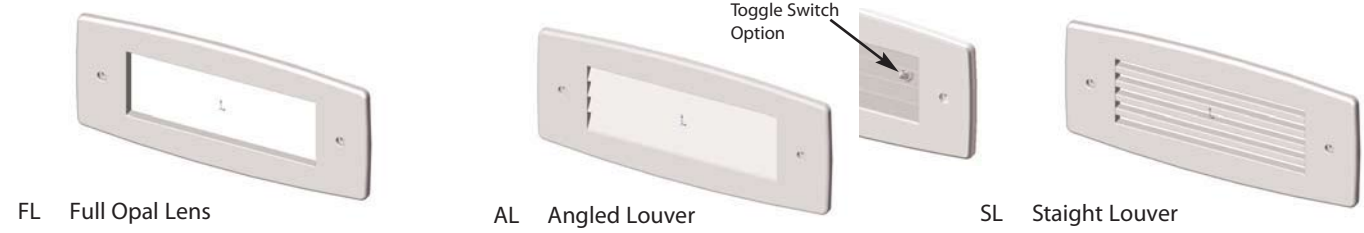
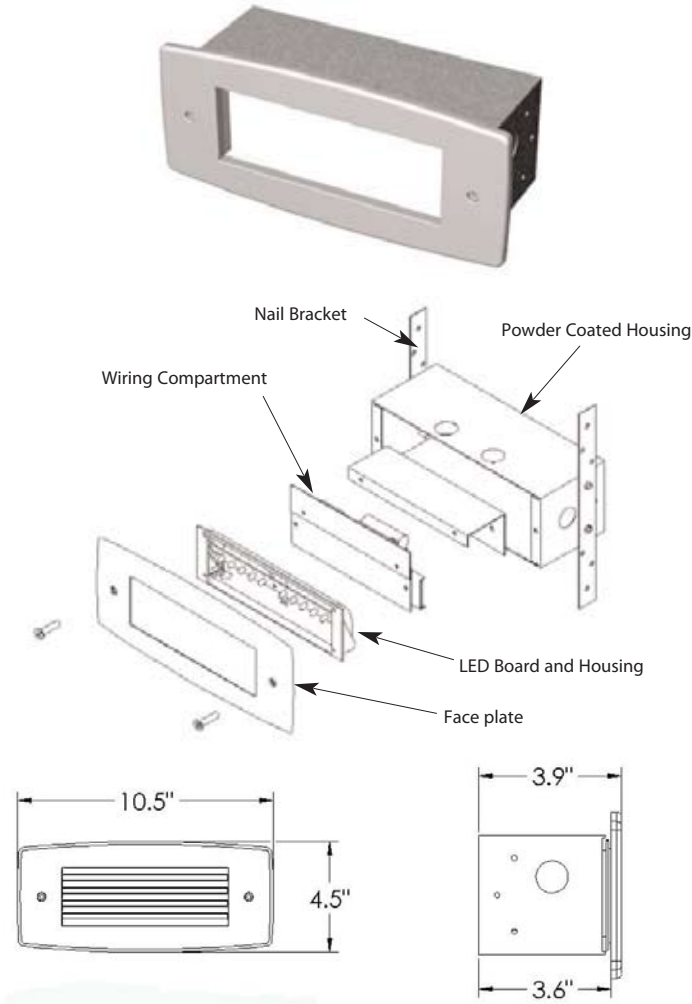
Standard 120/277 VAC Input Draws a maximum of 3 watts.

### CODE COMPLIANCE

UL listed 1598

### WARRANTY

5 years on standard fixture with a 7-year pro rated warranty on battery where applicable.



FL Full Opal Lens

AL Angled Louver

SL Straight Louver

## NL MODEL

### FACEPLATE

FL\* = FULL OPAL LENS  
AL = ANGLED LOUVER  
SL = STRAIGHT LOUVER  
\* INCLUDES OPAL POLY LENS

### FINISH

BA\* = BRUSHED ALUMINUM  
W = WHITE  
B = BLACK  
BR = BRONZE  
\* STANDARD

### FACTORY INSTALLED OPTIONS

EM = BATTERY BACKUP  
TPS = TAMPER-PROOF SCREWS  
TPSD = TAMPER-PROOF SCREW DRIVER  
TS = TOGGLE SWITCH - AL FACE ONLY  
AMB = AMBER LED'S

