



TYPE _____

CATALOG# _____



LG-100

NOBLER SERIES MR-11

Two 7 Watt Halogen Head Emergency Light

GENERAL DESCRIPTION

Redefining the aesthetic standards the industry has settled for in the past, the Nobler Light Style Series product offers the high performance of 7 Watt halogen lamps while minimizing the quantities needed for illuminating paths of egress. This fully adjustable Life Safety product features a unique gently contoured thermo-plastic housing with two MR-11 Halogen lamp heads.

It is designed to provide the highest levels of glare free illumination while blending nicely into any environment.

HOUSING

UV Stable Thermo- plastic flame retardant meets UL standard 95-VA. This unit is available in White, Back, and Titanium. Mounting plate can be installed at rough-in while main unit can be simply snapped into place after final touch ups have taken place.

ILLUMINATION

Mounted in precision-formed, fully adjustable assemblies, two 7 Watt MR-11 Halogen lamps exceed illumination required by UL 924 with better space to mounting criteria than the industry standard 5.4 Watt incandescent offering. Center to center spacing with of minimum .1 ft Candle and an average of 1 ft Candle is 25 ft. IES file available.

ELECTRONICS & BATTERY

Standard Transformer Input is dual voltage 120/277 60Hz. Solid State charging system features Low Voltage Disconnect (LVD), AC lockout installation, brown out protection, and standard AC indicator LED light. With an average life of 5 years, the Maintenance Free Sealed Lead Calcium Battery provides a minimum of 90 minutes of illumination in emergency mode. Optional Nickel Cadmium battery also available.

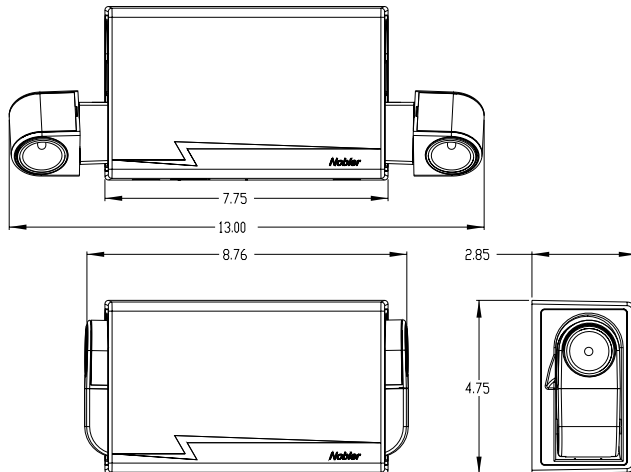
CODE COMPLIANCE

Meets or exceeds UL 924, NFPA, NEC, and OSHA standards.

WARRANTY

LIFETIME Limited warranty on housing and electronics
 5 year pro rated warranty on Sealed Lead Acid battery.
 7 year pro rated warranty on Nicad battery

DIMENSIONS



NOBLER SERIES™

LG-100

Model

Housing
Color

W White
 B Black
 Ti titanium

Factory Installed
Options

NC Nicad Battery
 220 220 VAC Input
 SD Self Diagnostics

