



TYPE _____

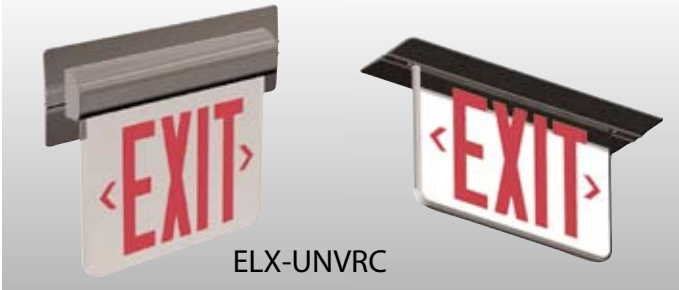
CATALOG# _____

ELX-UNVRC

RECESSED L.E.D. EDGELITE SIGN

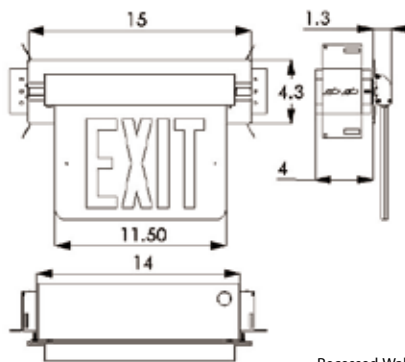
Recessed Wall Mount

Recessed Ceiling Mount

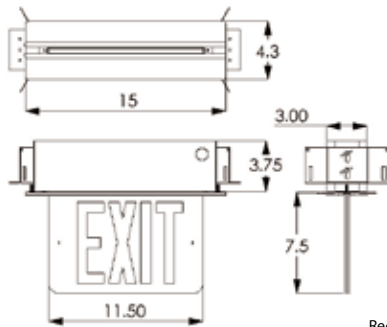


ELX-UNVRC

Universal Wall and Ceiling Mount



Recessed Wall Mount



Recessed Ceiling Mount

GENERAL DESCRIPTION

The Light Style™ Series Edgelite provides a thin profile design that complements upscale commercial or retail architectural applications and remote powers up to 10W. Illumination is provided utilizing the highest quality LEDs (AlInGaP) for even light distribution and trouble-free operation.

HOUSING

Slim-profile housing sporting modern design simplify the traditional design process and installation concerns. Universal canopy streamlines on-field installation, providing electricians the ease of adapting to the various needs on the jobsite.

HOUSING FINISH

Ranging from classic dark bronze to modern brushed aluminum finish, the ELX-UNVRC signages offer limitless options to accentuate the architecture and the matching canopy enhances the composition of the space.

FACE DESIGN

Face design provides 6" letters with 3/4" stroke. Directional indicators are custom field installable type.

ILLUMINATION

ELX-UNVRC utilizes high-output AlInGaP LEDs which have rated lamp life of 10+ years. Unit draws less than 3 Watts.

ELECTRONICS

Standard transformer input is dual voltage 120/277 60Hz. EM option features solid state design with Low Voltage Disconnect (LVD), AC lockout, brown-out protection, and AC indicator LED with test switch. The unit provides 90 minutes of illumination upon loss of power. Battery is maintenance free Nickel Cadmium with an estimated service life of 7 years, operating within the temperature of 10° C to 40° C.

CODE COMPLIANCE

UL 924 listed. Meets NFPA, NEC, and OSHA illumination standard.

WARRANTY

5 years on housing and electronics and a 7 year pro rated warranty on battery.

LIGHT STYLE SERIES™

ELX MODEL
UNVRC MOUNTING

MODEL	MOUNTING	NO. OF FACES	LETTER COLOR/BACKGROUND	TRIM EXTRUSION COLOR/FINISH	UNIT POWER CONFIGURATION	FACTORY INSTALLED OPTIONS
1 = SINGLE 2 = DOUBLE			RC* = RED ON CLEAR RW = RED ON WHITE RM = RED ON MIRRORED RB = RED ON BLACK GC* = GREEN ON CLEAR GW = GREEN ON WHITE GM = GREEN ON MIRRORED GB = GREEN ON BLACK * SINGLE FACE ONLY	BA* = BRUSHED ALUMINUM WHT = POWDER-COATED WHITE BLK = POWDER-COATED BLACK DB = DARK BRONZE FINISH BR = BRASS TYPE FACE PLATE	AC = AC ONLY EM = BATTERY BACKUP 220 = 330 VAC 50/60 HZ INPUT DI = TWO-INPUT TRANSFORMER	SD = SELF DIAGNOSTICS SW = SPECIAL WORDING PK-ELX = PENDANT CAD = CADDY BARS

